

Vref, bridge & window comp.

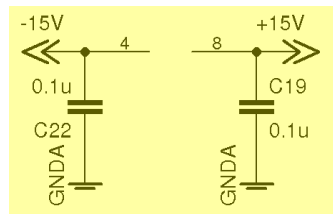
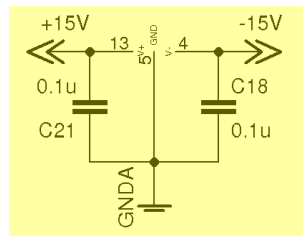
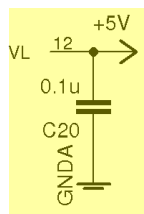
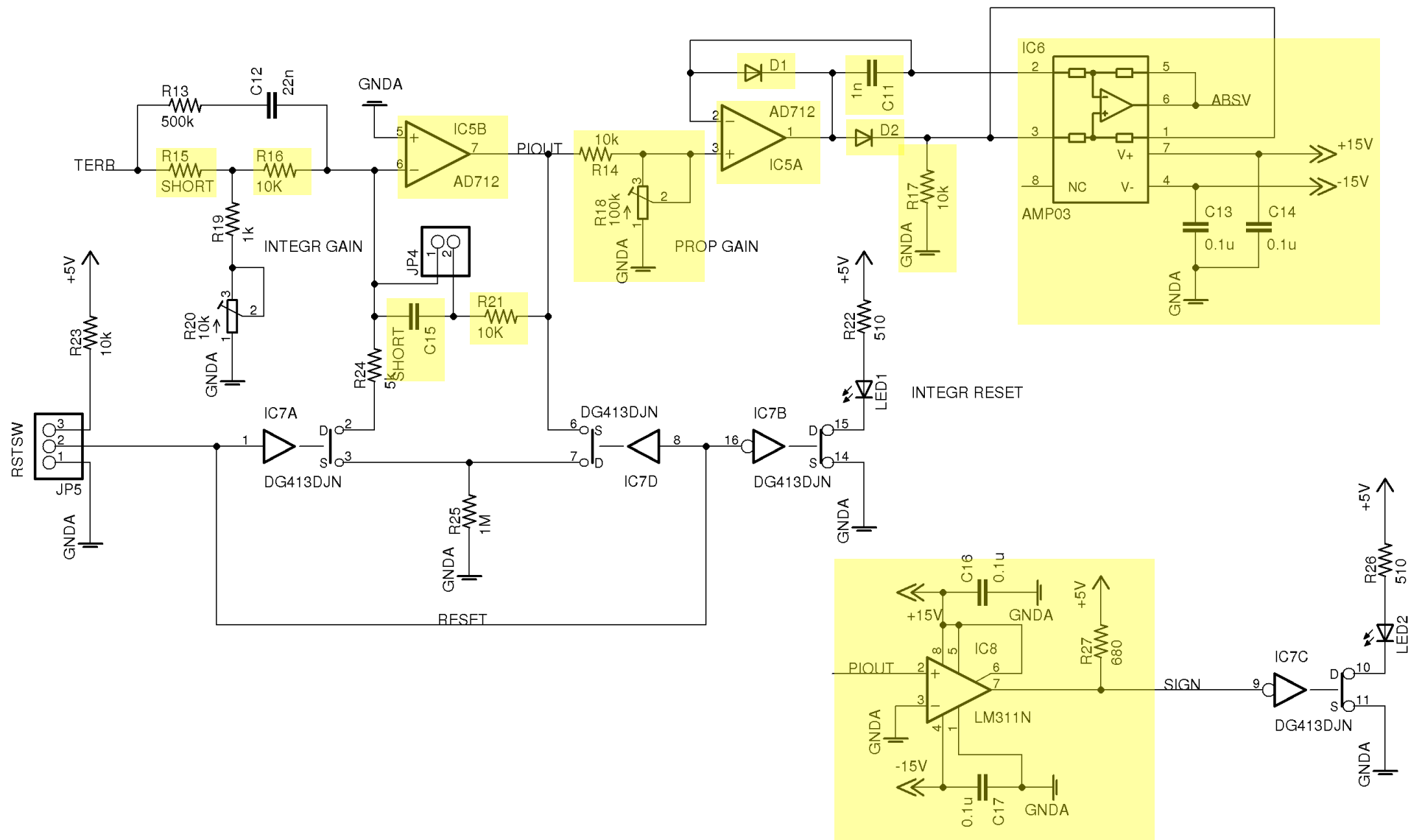
TITLE: tc3r4_currgen

Document Number:

REV:

Date: 6/9/10 11:03 AM

Sheet: 1/3



PI and current limit

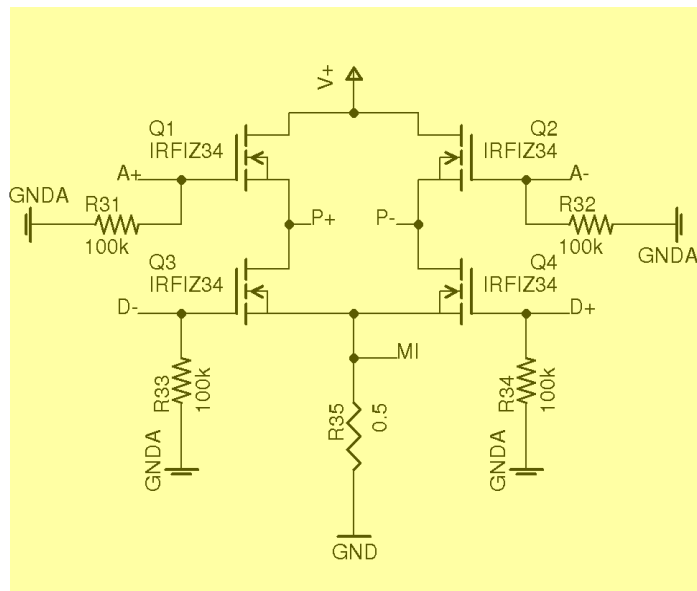
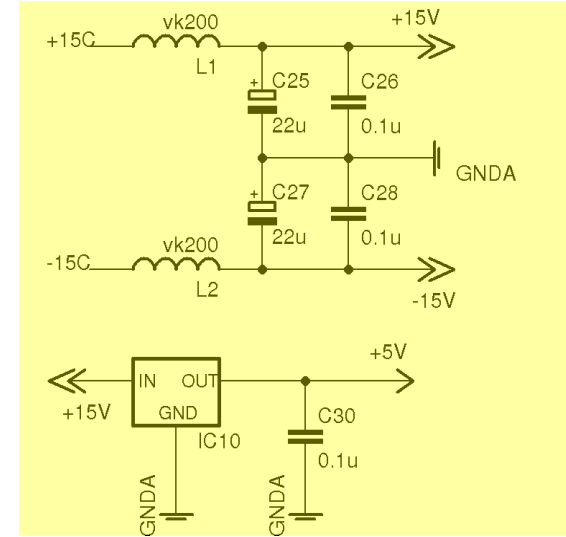
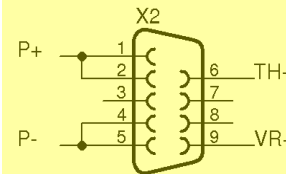
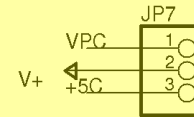
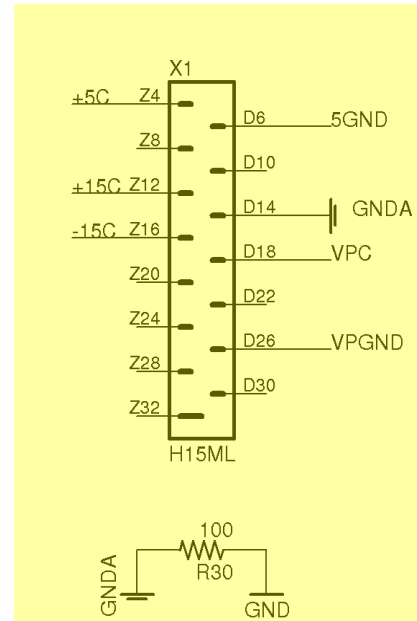
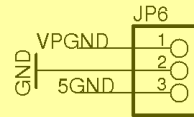
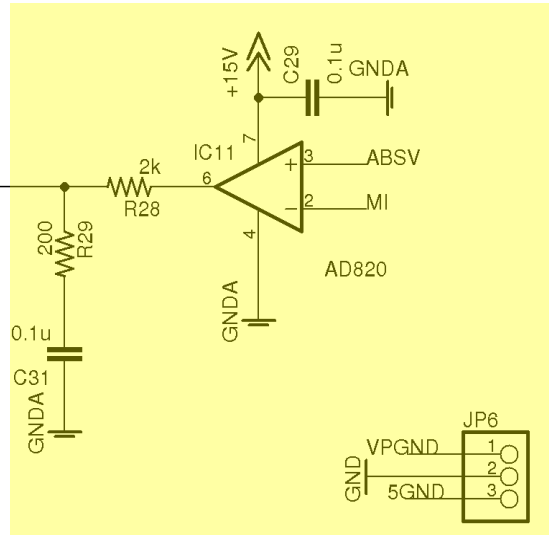
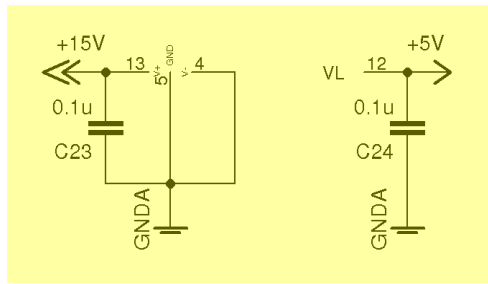
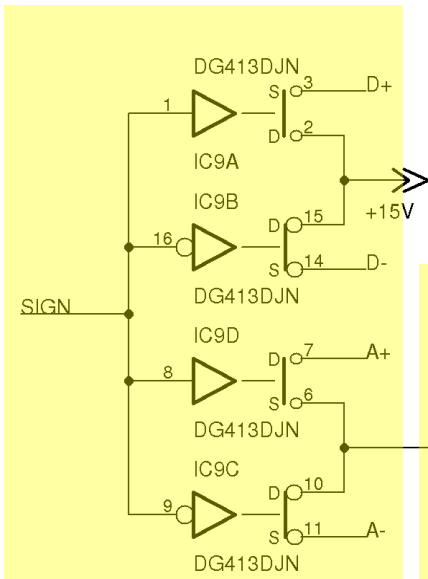
TITLE: tc3r4_currgen

Document Number:

REV:

Date: 6/9/10 12:31 PM

Sheet: 2/3



H Bridge

TITLE: tc3r4_currgen

Document Number:

REV:

Date: 6/9/10 11:03 AM

Sheet: 3/3

